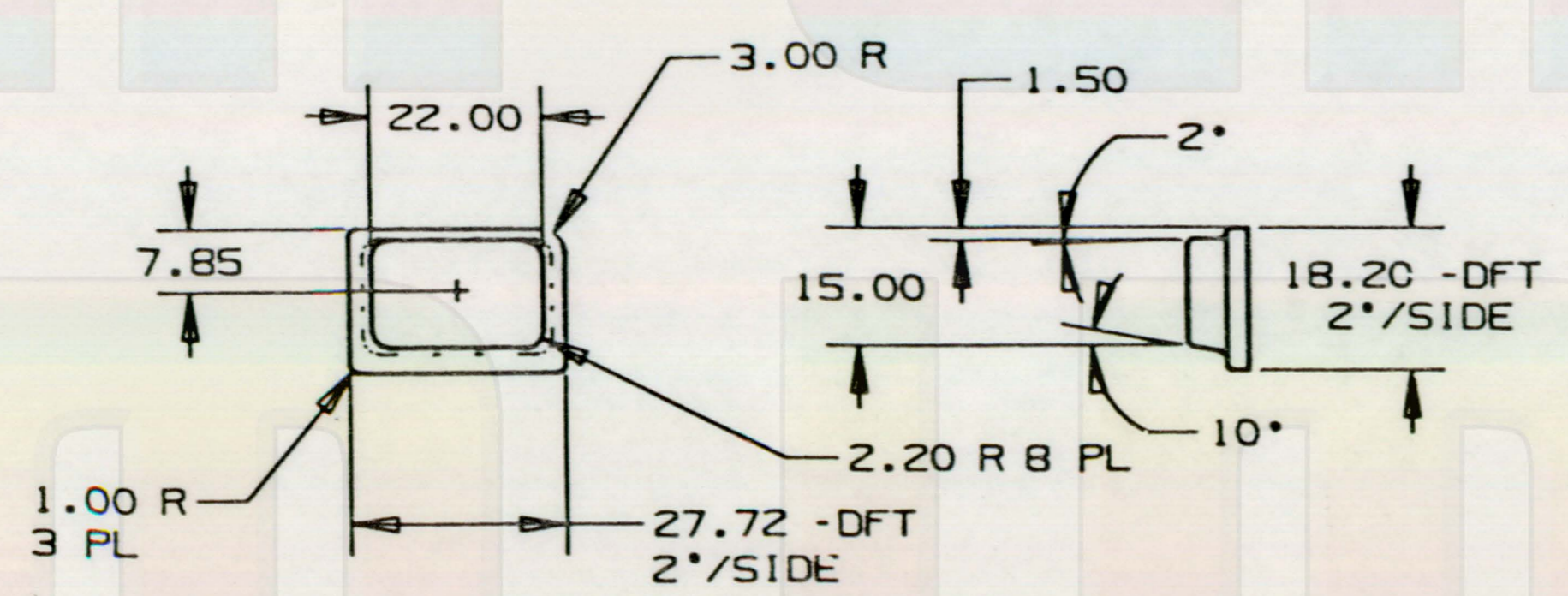


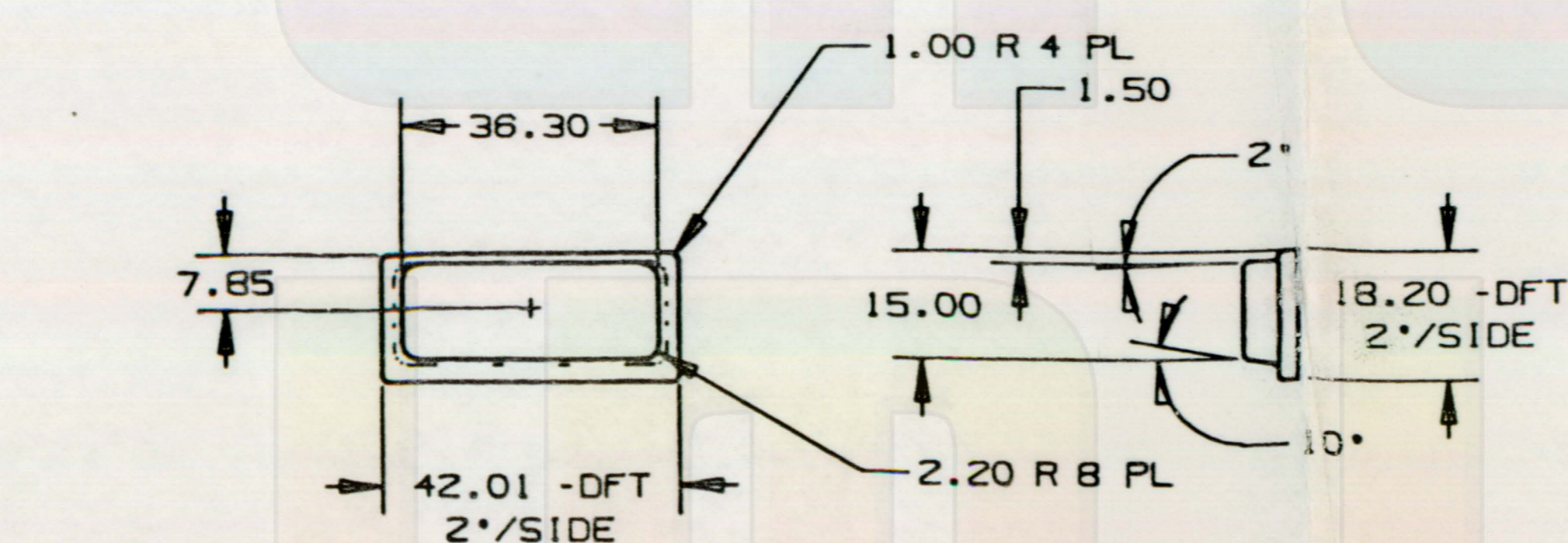
NOTE: UNLESS OTHERWISE SPECIFIED

REV	ZONE	ECO #	REVISION	APPD	DATE

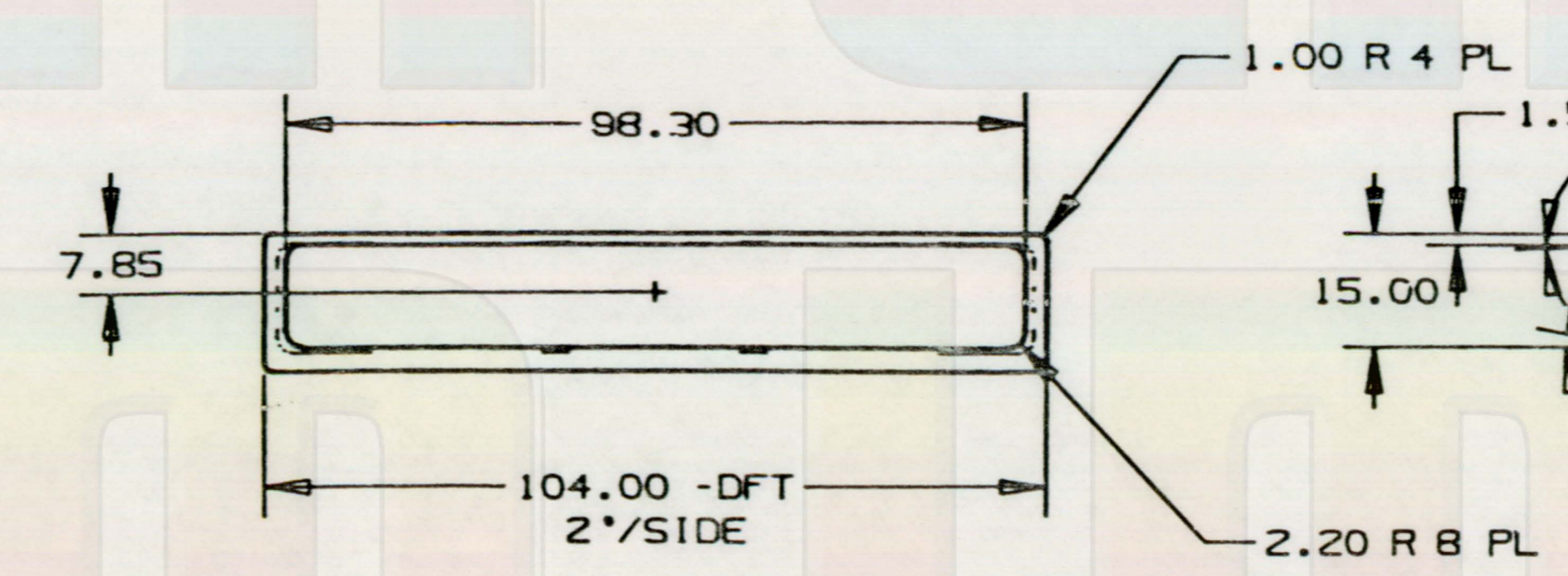
SEE SHEET 1
"A SIZE"



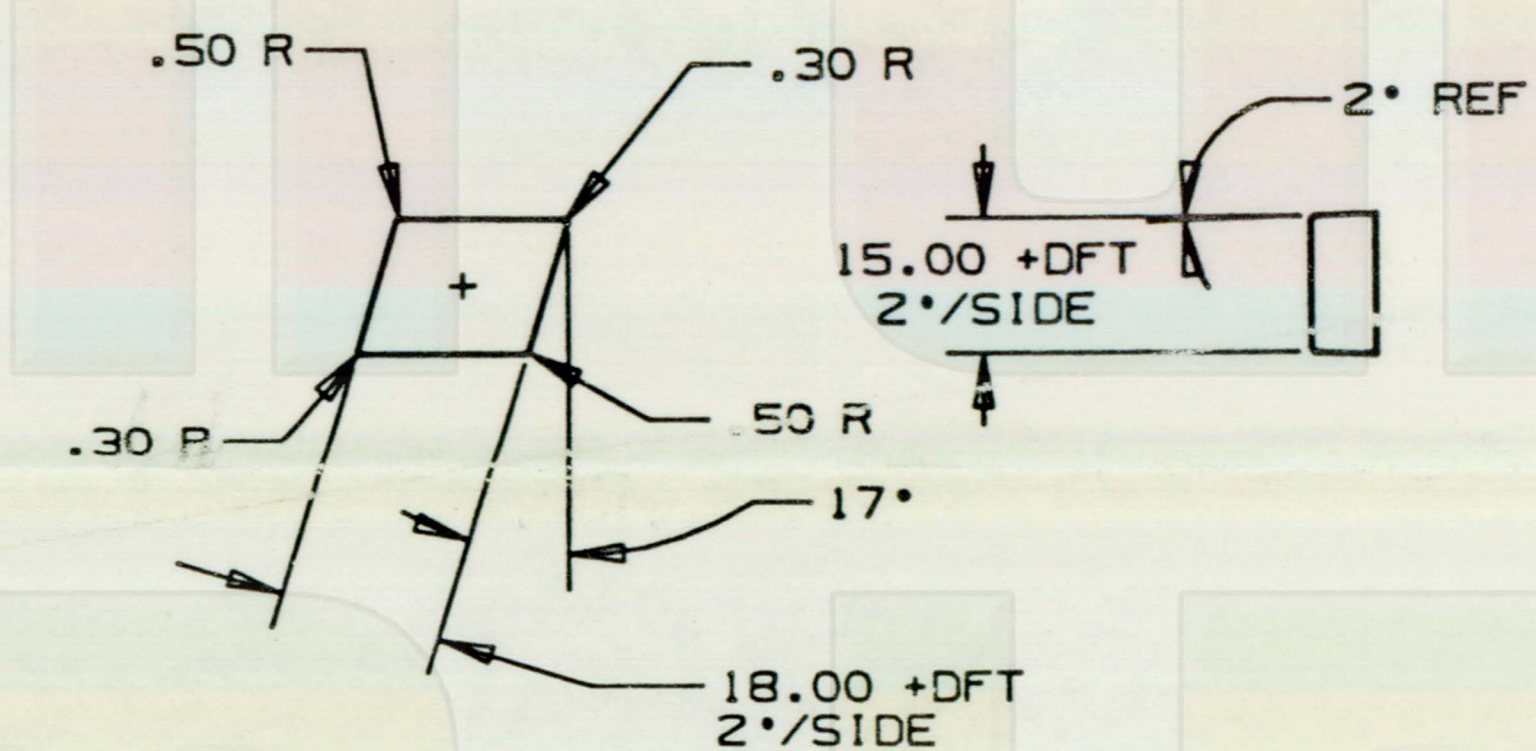
DELETE KEY



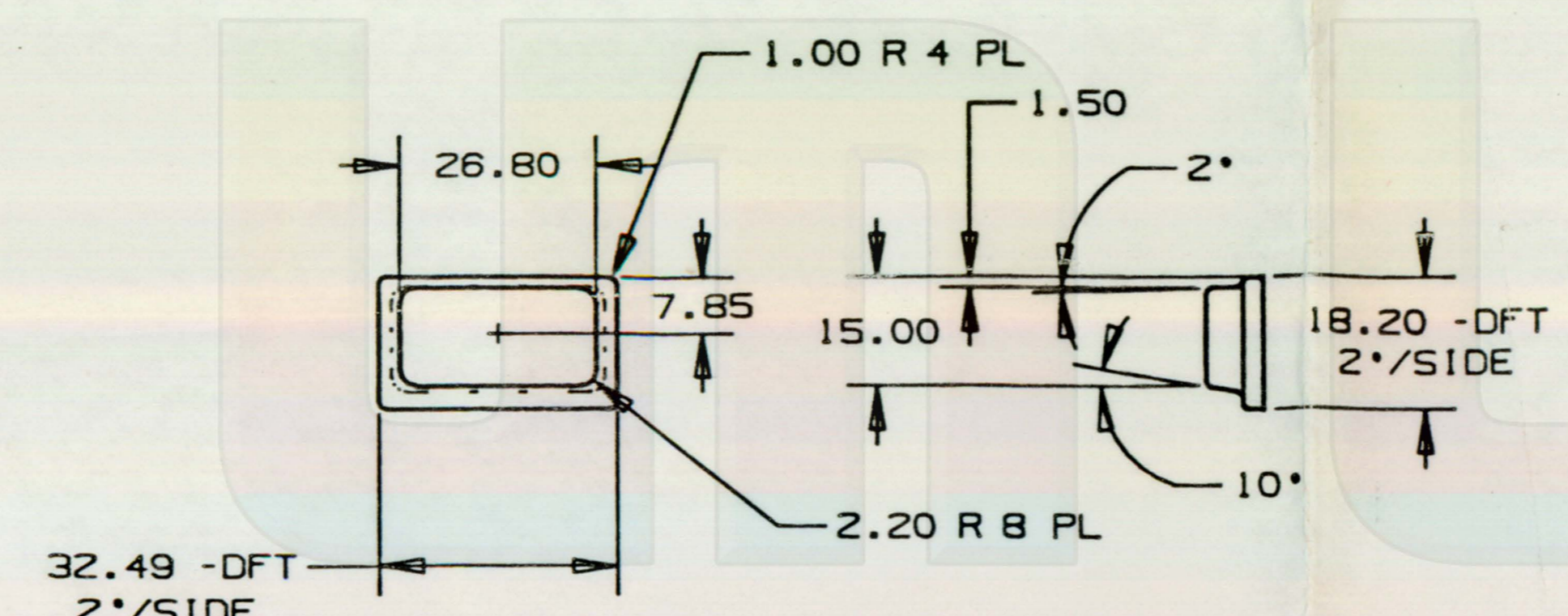
SHIFT KEY



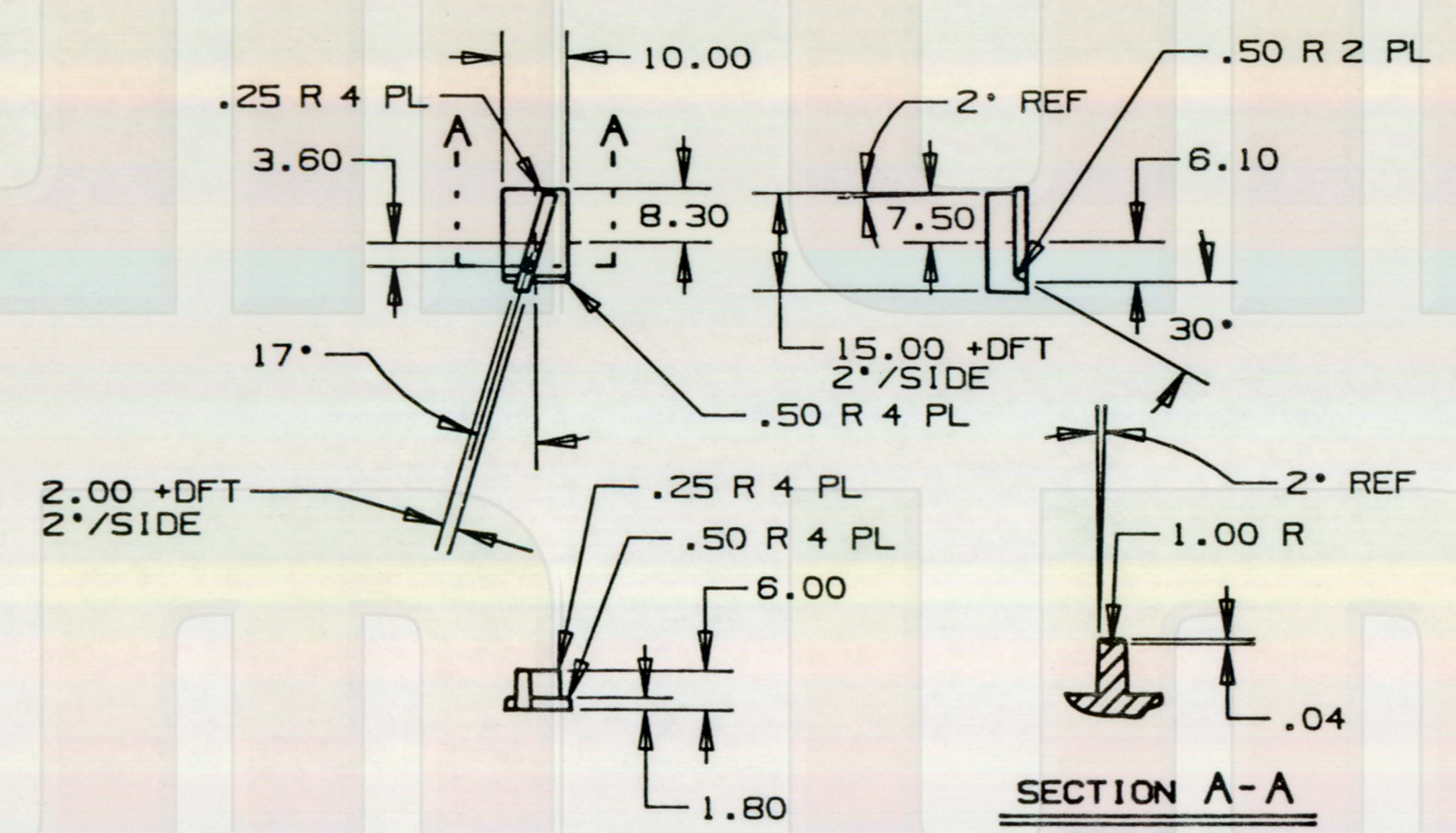
SPACE BAR



TAB KEY



RETURN KEY



40/80 COLUMN/LANGUAGE

RESET

BROUGHT TO YOU BY:
Ultimate apple2.com **REACTIVE** MICRO.COM
UM **ULTIMATE MICRO**

METRIC DIMENSIONS ARE IN MILLIMETERS TOLERANCES: X: .05 YY: .02 ZZ: .01		apple computer inc. NOTICE OF PROPRIETARY PROPERTY THE INFORMATION CONTAINED HEREIN IS THE PROPRIETARY PROPERTY OF APPLE COMPUTER, INC. THE POSSESSOR AGREES TO THE FOLLOWING: (1) TO MAINTAIN THIS DOCUMENT IN CONFIDENCE (2) NOT TO REPRODUCE OR COPY IT (3) NOT TO REVEAL OR PUBLISH IT IN WHOLE OR PART	
DRAFT R.F. DATE 1/15/84 BY R.F.	DRAFT 1/10/84 DATE 1/12/84 BY R.F.	TITLE SPEC., ASSY., DOMESTIC KYBRD., I/C	DRAWING NUMBER 062-0187-B SHT 11/12

DRAWING NUMBER
062-0187-B
SHT
11/12