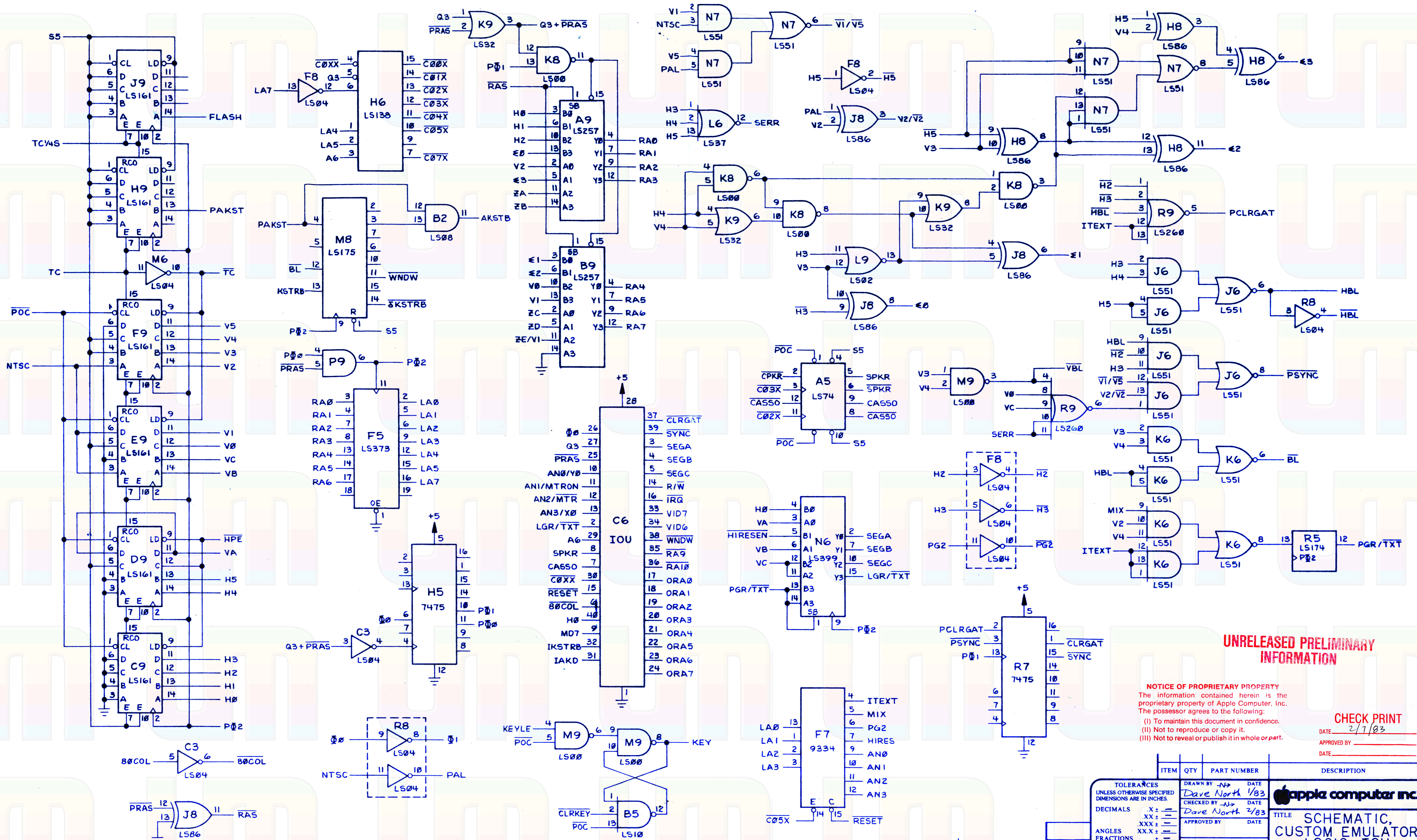


NOTE: UNLESS OTHERWISE SPECIFIED



UNRELEASED PRELIMINARY INFORMATION

**NOTICE OF PROPRIETARY PROPERTY**  
 The information contained herein is the proprietary property of Apple Computer, Inc. The possessor agrees to the following:  
 (I) To maintain this document in confidence.  
 (II) Not to reproduce or copy it.  
 (III) Not to reveal or publish it in whole or part.

**CHECK PRINT**  
 DATE: 2/7/83  
 APPROVED BY: \_\_\_\_\_  
 DATE: \_\_\_\_\_

ITEM	QTY	PART NUMBER	DESCRIPTION
TOLERANCES UNLESS OTHERWISE SPECIFIED DIMENSIONS ARE IN INCHES.			
DECIMALS .X ± .01			
ANGLES FRACTIONS .XX ± .005			
DIMENSIONS IN PARENTHESIS ARE IN MILLIMETERS			
MATERIAL: N/A			
NEXT ASSY.			
FINISH: N/A			
DRAWN BY: Dave North 1/83 CHECKED BY: Dave North 2/83 APPROVED BY: _____ RELEASED BY: _____			DATE: 1/83 DATE: 2/83 DATE: _____ DATE: _____
TITLE: SCHEMATIC, CUSTOM EMULATOR LOGIC-IOU			DRAWING NUMBER: SK3518-00
SCALE: NONE			SHEET 1 OF 2